



PAYLOADER

- BODY 10 m3 ROUND SHAPED CORTEN STEEL STD 3mm
- STANDARD FRONTAL HOIST CYLINDER
- TRUCK HYDRAULICS FITTED EXCLUDING PTO
- TAILGATE STANDARD RELEASE MEGANISM
- AIR AND FUEL TANK PROTECTORS FITTED IF REQUIRED
- SPARE WHEEL FITTED ONTO BODY

PAINTWORK

TO CUSTOMERS CORPORATE COLOURS 2K H/DUTY. Payloader use the SALCOMIX PAINTING SYSTEM from the Glasrut Group of companies, part of the BASF Group. We are fully equipped with our own mixing machine, computer and all equipment to give you the perfect colour of your companies choice (or a wider range of colours) with SOLCOMIX 603 – 2K acrylic topcoat(TPC-ACR). Giving an excellent weathering resistance, with a high surface hardness and good gloss. Now with our in house , colour-mixing laboratory, Payloader is able to satisfy your every paint requirement. Payloader can offer a 1 year warranty certificate on each and every trailer on the paint system.

SUBFRAME

STANDARD MOUNTED TO TRUCK CHASSIS

TAILBOARD

STANDARD STEEL

LIGHTS

LED TRUCK LIGHTS FITTED

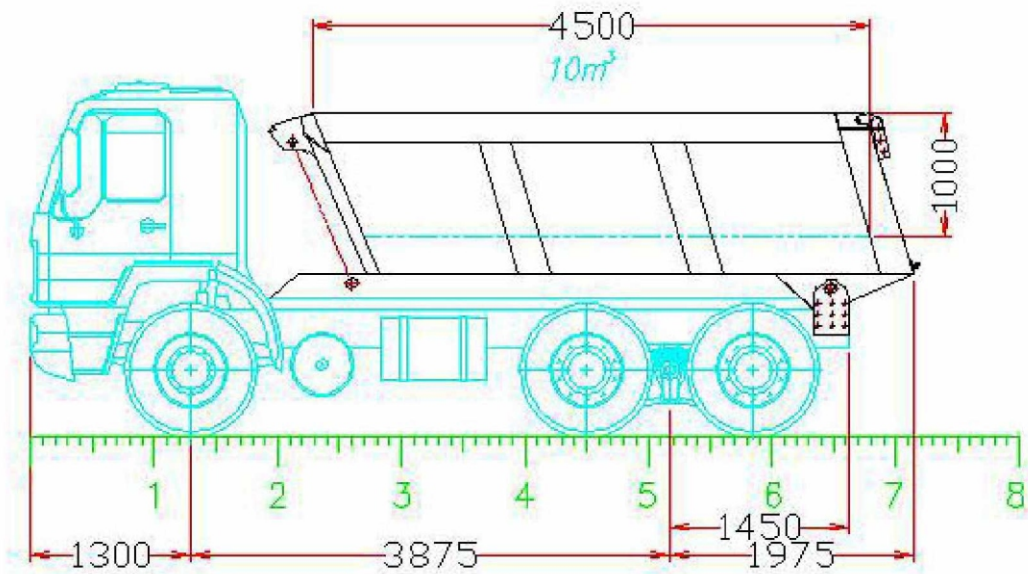
UNDERRUN BUMPER

STANDARD TO SABS SPECIFICATION

REFLECTIVE TAPE

STANDARD TO SABS SPECIFICATION





This drawing is the property of Payloader and cannot be copied or is closed to a third.

Company Details

160, South Rand Road, Tulisa Park, Johannesburg, South Africa

www.thepayloader.com

Email: info@thepayloader.com

Phone

(T) 27 11 8695551

(F) 27 11 8695632

Marketing Division

1st Floor, 269 Oxford Road, Illovo, Johannesburg, South Africa

(T) 27 11 2686900